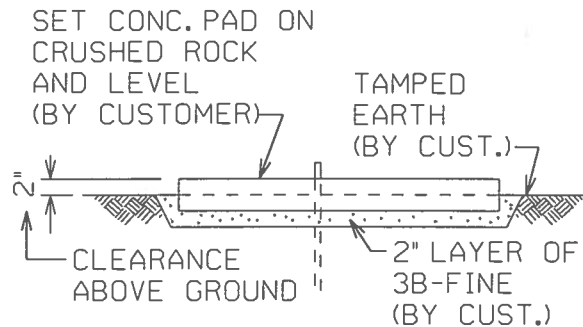
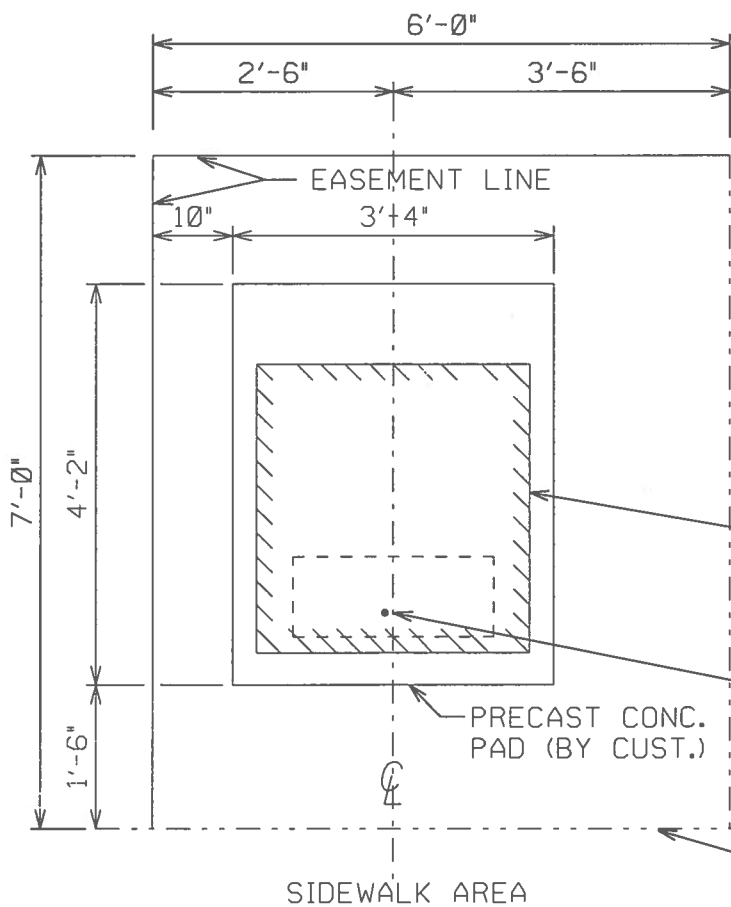


**Hawaiian
Electric**

The information found in this document are general guidelines that may be used to aid in the preparation of your service request proposal. Please be advised that depending on the specific needs and actual conditions of your project, Hawaiian Electric may require your design to comply with different specifications including specifications that include more stringent requirements than those included in these design specification guidelines. For further guidance and clarification on the actual specifications that will apply to your particular project, please refer to instructions issued by Hawaiian Electric's Planner or Engineer who is assigned to your particular (Project/Review Request/...). Additionally, please be advised that Hawaiian Electric reserves the right to require additional modifications to any approved design if it is determined during actual construction that additional modifications must be made to address certain field conditions that were not detected or Hawaiian Electric was unaware of during the design review process.





TYP. SECTION
THRU PAD

PADMT. TRANS.
(MAXIMUM WEIGHT 3000 POUNDS
WITH SOIL COMPACTED TO 95%
COMPACTION).

5/8" X 8'-0" GROUND ROD
FURNISHED BY HECO AND
INSTALLED BY CUSTOMER.

PLAN

CUSTOMER'S NOTES:

1. GRADE AND COMPACT THE PAD SITE SO THAT THE HIGHER FRONT CORNER MATCHES THE CONCRETE SIDEWALK GRADE. THE LOT SHALL HAVE A SLOPE NOT GREATER THAN 1/2 INCH PER FOOT TOWARD THE SIDEWALK.
2. THE PAD SHALL ALWAYS BE 2" HIGHER THAN THE HIGHEST POINT OF THE SIDEWALK FRONTING THE PAD.
3. GRADE SUFFICIENTLY AROUND THE LOT SITE TO PREVENT FUTURE FILLING IN OF THE LOT. WHEN REQUIRED, THE CUSTOMER SHALL CONSTRUCT A RETAINING WALL OF SUITABLE MATERIAL TO PREVENT FUTURE FILLING IN OF THE LOT. REFERENCE STANDARD 30-5002.
4. COMPACT BY ROLLING THE LOT SITE IN ACCORDANCE WITH RESPECTIVE COUNTY STANDARD SPECIFICATIONS FOR COMPACTING SIDEWALK AREAS.
5. EXCAVATE A TRENCH FOR DUCT LINES TO PAD SITE.
6. EXCAVATE AN AREA 3'-8" X 4'-6" X 2" DEEP AFTER LOT IS MINIMUM 95% COMPACTED. THIS AREA SHALL BE FILLED WITH 3B-FINE.
7. REFER TO HECO MATERIAL DRAWING 011249 FOR DETAILS OF CONCRETE PAD.

REVISION	DATE	INITIAL	4-1-81	RM	VEC
	11-25-81	RM	TN		
	10-31-99	CT	DH	FK	
	10-30-01	10	30	01	WTM
	08/03	CT	47	DK	

DRAWN	CT	DESIGNED	RM	APPD	TN	VEN	REDRAWN	1-98
SUPERSEDES							ORIGINAL	9-14-70
ENGINEERING STANDARD HAWAIIAN ELECTRIC CO. INC.							30-5001	REV 5
							SHEET	1 OF 1

1 PH. PADMOUNTED TRANS.
CONCRETE PAD
URD INSTALLATION